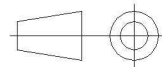
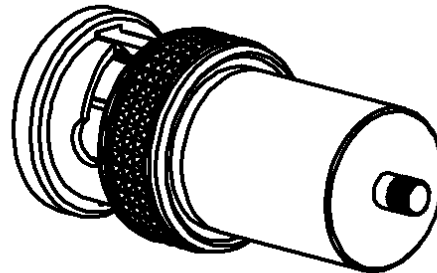
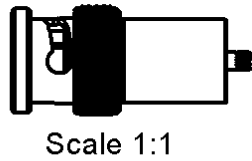
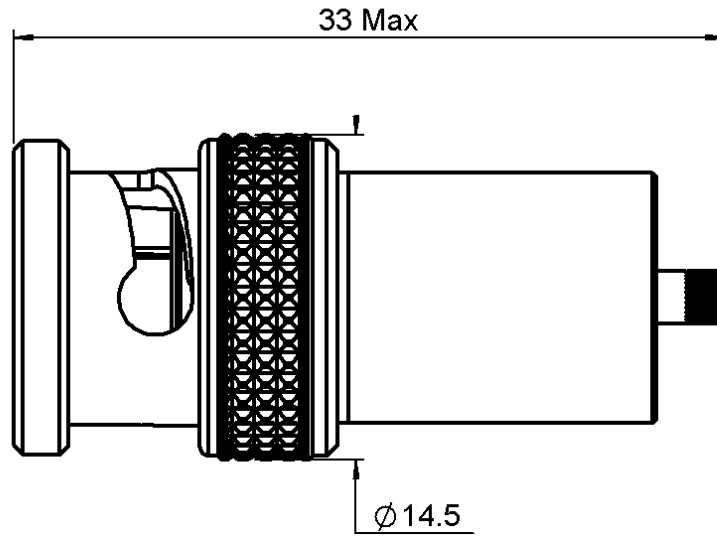


BNC MALE COAXIAL TERMINATION

R404.220.000

11 GHZ 1W Z50

Series : **TERMINATION**



All dimensions are in mm.

COMPONENTS	MATERIALS	PLATING(µm)
BODY	BRASS	NICKEL 5
CENTER CONTACT	BRASS	GOLD 2.5 OVER NICKEL 1
OUTER CONTACT		
INSULATOR	PTFE	
GASKET	SILICONE RUBBER	
SUBSTRATE	ALUMINA	
RESISTOR	Thin film	
OTHERS PARTS		

Issue : 0826 U

In the effort to improve our products, we reserve the right to make changes judged to be necessary.



BNC MALE COAXIAL TERMINATION

R404.220.000

11 GHZ 1W Z50

Series : **TERMINATION**

ELECTRICAL CHARACTERISTICS

Frequency (GHz)	DC - 4	4 - 8	8 - 11
V.S.W.R (≤)	1.10	1.25	1.25

Operating Frequency Range	DC - 11	GHz
Impedance	50	Ω
DC Resistance	50	Ω ± 5%
Peak power at 25°C (1μs, 1%)	500	W
Average power at 25°C	1	W (Free Air Cooled)
		W (Conduction Cooled)

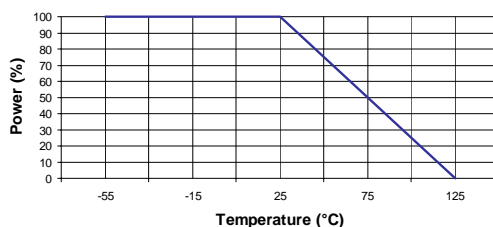
MECHANICAL CHARACTERISTICS

Connectors	BNC	MALE	MIL C39012
Weight	14,5800 g		

ENVIRONMENTAL CHARACTERISTICS

Operating temperature range	-55 /+125 °C
Storage temperature range	-55 /+125 °C

Power derating Versus temperature



SPECIFICATION

OTHER CHARACTERISTICS

Issue : 0826 U

In the effort to improve our products, we reserve the right to make changes judged to be necessary.

